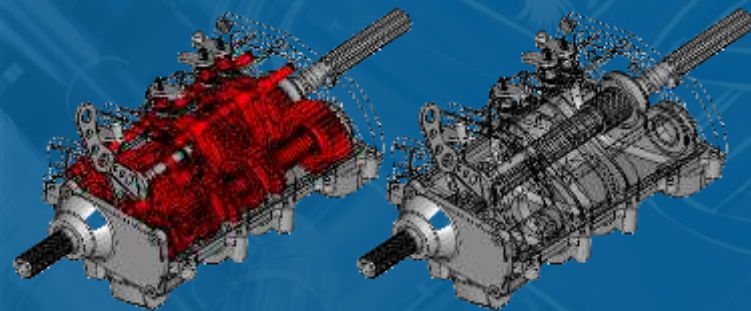
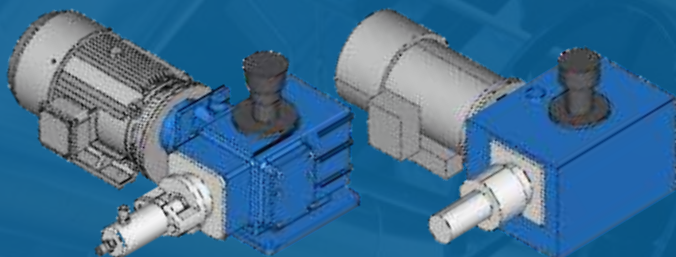


Remove Small Parts

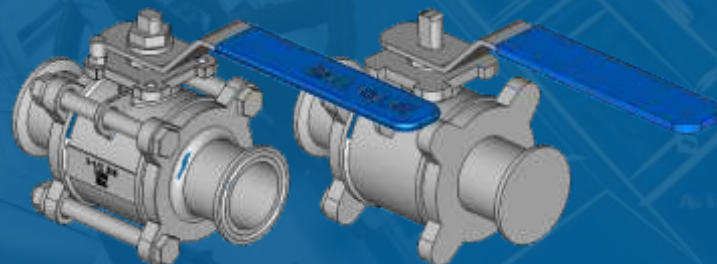


Remove Internal Parts

# CADfix PPS



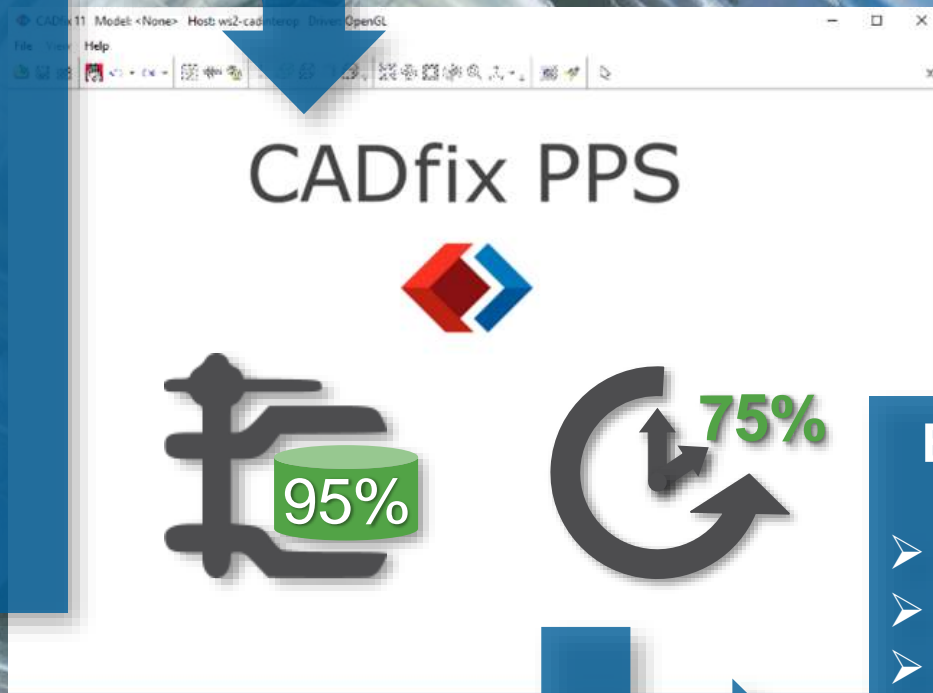
Shape Simplification



Feature Simplification

## Import Formats

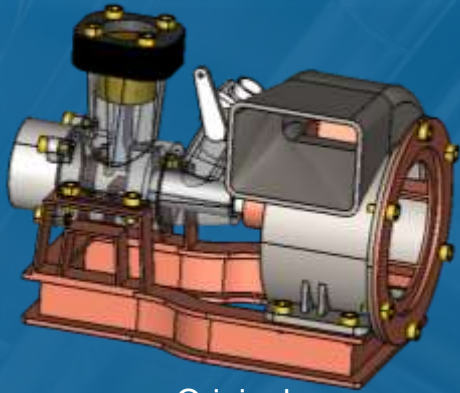
- CADD5 5i
- CATIA
- Creo
- Inventor
- NX
- SOLIDWORKS
- ACIS SAT
- DXF/DWG
- STEP
- JT Open
- Parasolid



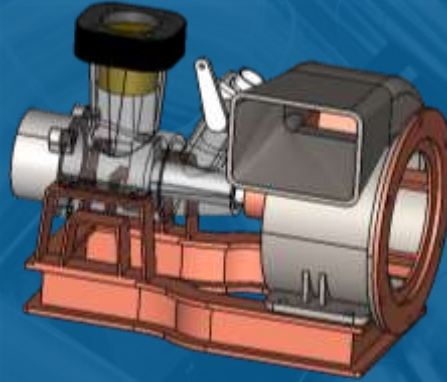
## Export Formats

- ACIS SAT
- DXF/DWG
- STEP
- JT Open
- Parasolid

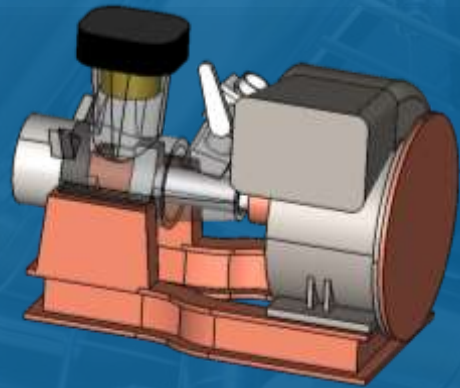




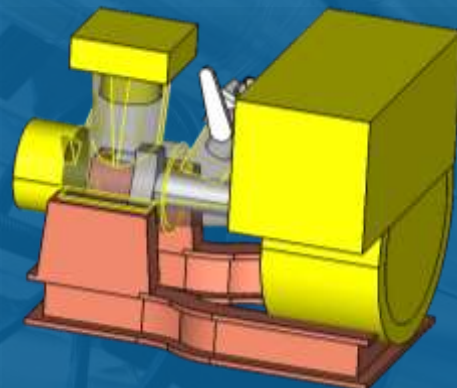
Original



Level 1



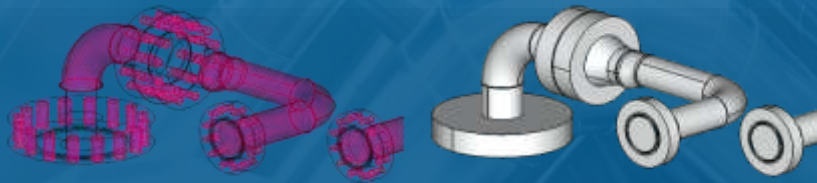
Level 2



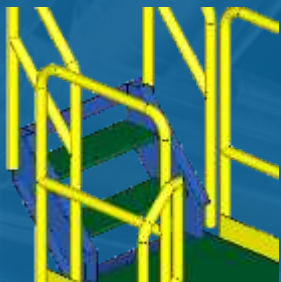
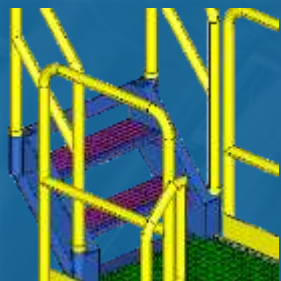
Level 3

## CADfix PPS Auto Simplification

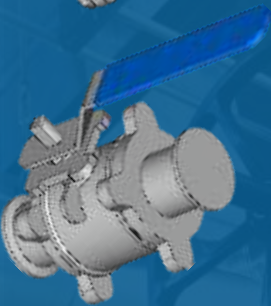
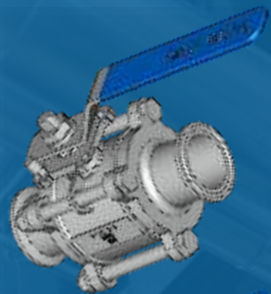
1. Select Simplification level
2. Select appropriate options
3. Set appropriate values in option, use the Caliper to interactively measure objects
4. Use “Keep List” to filter some geometry
5. Click Apply



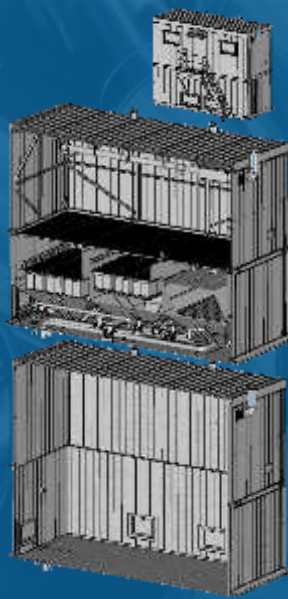
Remove Holes and Cavities



Box simplification



Small details



Internal features

## CADfix PPS Manual Simplification

- Remove small bodies
- Remove Holes and cavities
- Remove protrusion
- Box simplification
- Cylinder simplification
- Remove internal features
- Split part
- Delete selected parts

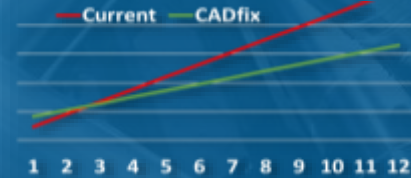


# CADfix PPS : Average Project ROI Example

Save human effort



ROI in 3 months



Compress Data

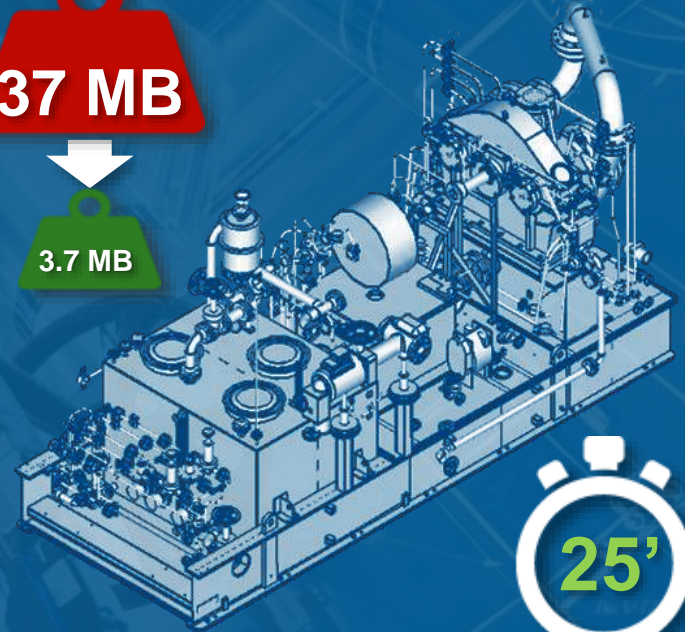


Save Time



37 MB

3.7 MB



CADfix PPS free demo  
available on  
[www.cadinterop.com](http://www.cadinterop.com)

